

piccolo DVD[®] Technical Data



General Information

- Only 80 mm in diameter.
- Available as piccolo DVD 5, DVD 9 or DVD 10.
- Capable of audio or video content.
- Technically fully specified and compatible DVD format.
- Piccolo DVD[®] is a registered trademark of DOCdata.

Video Content

- Up to 85 minutes of DVD Video, full format (Dolby Digital 5.1 / dts 6.0 or similar).

Audio Content

- Up to 4 hours of Dolby Digital 5.1
- Up to 50 mins MLP 96kHz / 24 bit.

Data Content

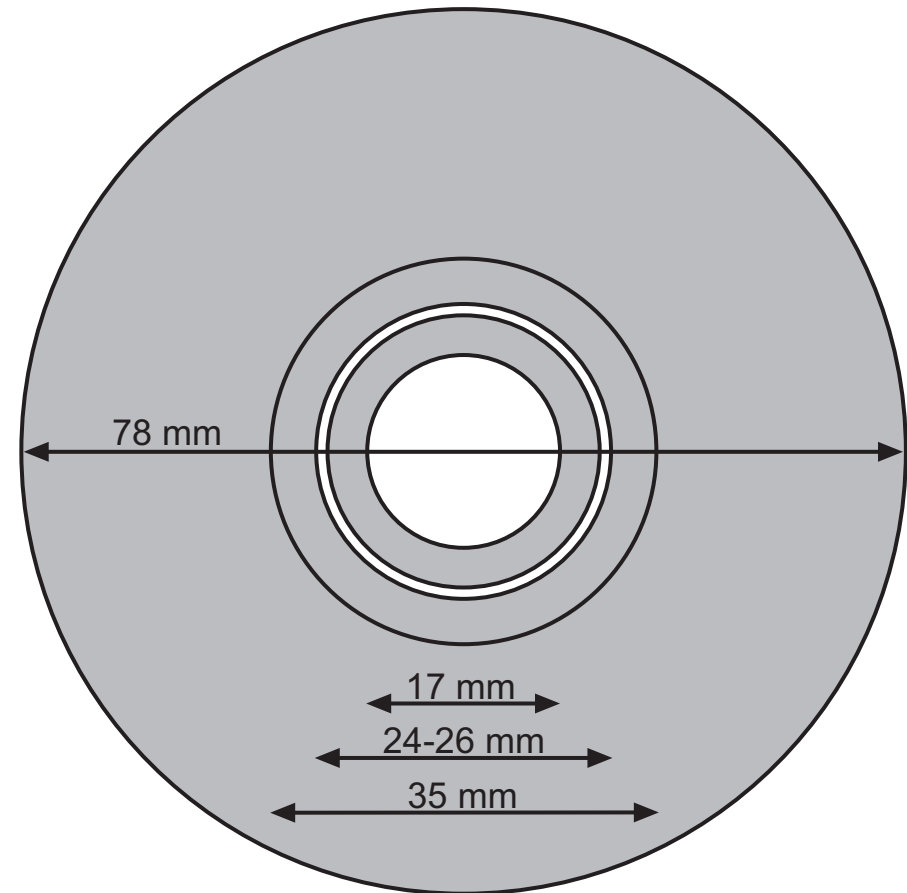
- Up to 2.9 gigabytes of data.

Outer diameter measurements

Total disc diameter	80mm
Total printable diameter	78mm
Shown in grey	
White base diameter (if required)	77mm

The diagram is not to scale. Diagram of DVD 5 or DVD 9 only.

Piccolo CD[®] is also available.



piccolo DVD[®] on-body specifications (supply of digital files)



The information below is for CD on-body printing only. It does NOT relate to paper parts artwork. For further information, please contact DOCdata UK on 01952 680131.

Print Limitations

Please avoid tints of less than 15% as these will break up and produce an unsightly patterned effect. Tints over 90% will “fill in”, producing a solid. Minimum line thickness is 0.2mm. Do not use the “hairline” width.

Pantone, special or spot colours

If non-process colours are to be used, this must be clearly indicated. They must also be correctly defined within the file.

Colour models

All images and artwork must be CMYK unless otherwise required (ie spot colour). Do not use RGB or LAB colour models.

White

Halftone printing will allow the colour and reflective surface of the disc to show through the artwork. If you do not require this, or would like any part of the artwork to be white, this must be clearly indicated. You should also remember that white is a spot colour, and its use will reduce the number of spot colours available. your convenience. If you do not require a white base, please delete the page.

Colour Guides

Please supply a colour guide / contract proof. If you elect not to, please send a disclaimer to this effect.

Accepted filetypes

QuarkXPress 6	PC & Mac
Adobe Illustrator 10	PC & Mac
Macromedia Freehand MX	PC & Mac
Adobe Photoshop 7	PC & Mac

If you are using software other than listed, please contact our Reprographics department for advice.

Supplied template

A QuarkXPress template is included within this archive. Please use it to mount your artwork. Do not edit its layout.

Bitmap Images

Greyscale or colour bitmaps should be 300 dpi at 100%. Please remember that enlarging a bitmap will reduce the dpi.

Legal Requirements

Please ensure that the correct Philips Compact Disc logo, as well as any other logo's required, are used.

Typefaces

All fonts must be supplied or converted to paths / outlines. Printer fonts must be supplied where applicable. Where PC applications have been used, convert text to paths. Minimum type size is 6pt sans-serif.

Trapping

Spread, choke, knockout and overprint settings are strictly the responsibility of the customer.

Supplying artwork

ISDN	01952 271282
Disc	CD-R, DVD-R, Zip 100 / 250 Mb